

ART. 5449 sim. UNI 5549 DIN 316 AF

Vite ad alette (a galletto) tipo americano

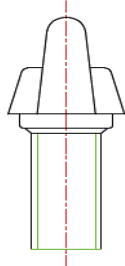
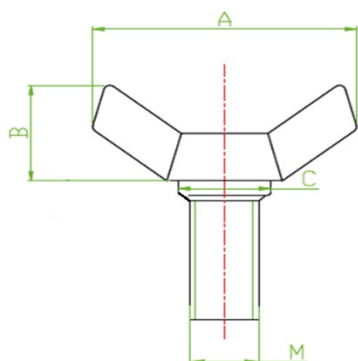
Wing screw American form

Disponibile/Available

A2



A4



C	4,30/5,7	4,8/7,0	4,8/7,0	6,5/9,7	8,6/13,0	10,50/14,00
B	7,10/10,50	8,60/11,93	8,60/11,93	10,92/14,40	13,50/17,00	15,50/20,1
A	15,00/20,00	19,81/23,11	19,81/23,11	24,60/28,50	28,40/34,50	33,20/37,50
I / M	M3	M4	M5	M6	M8	M10
6						
10						
12						
16						
20						
25						
30						
35						
40						
50						

last edit 16/02/2022

DRAWING N. 1103